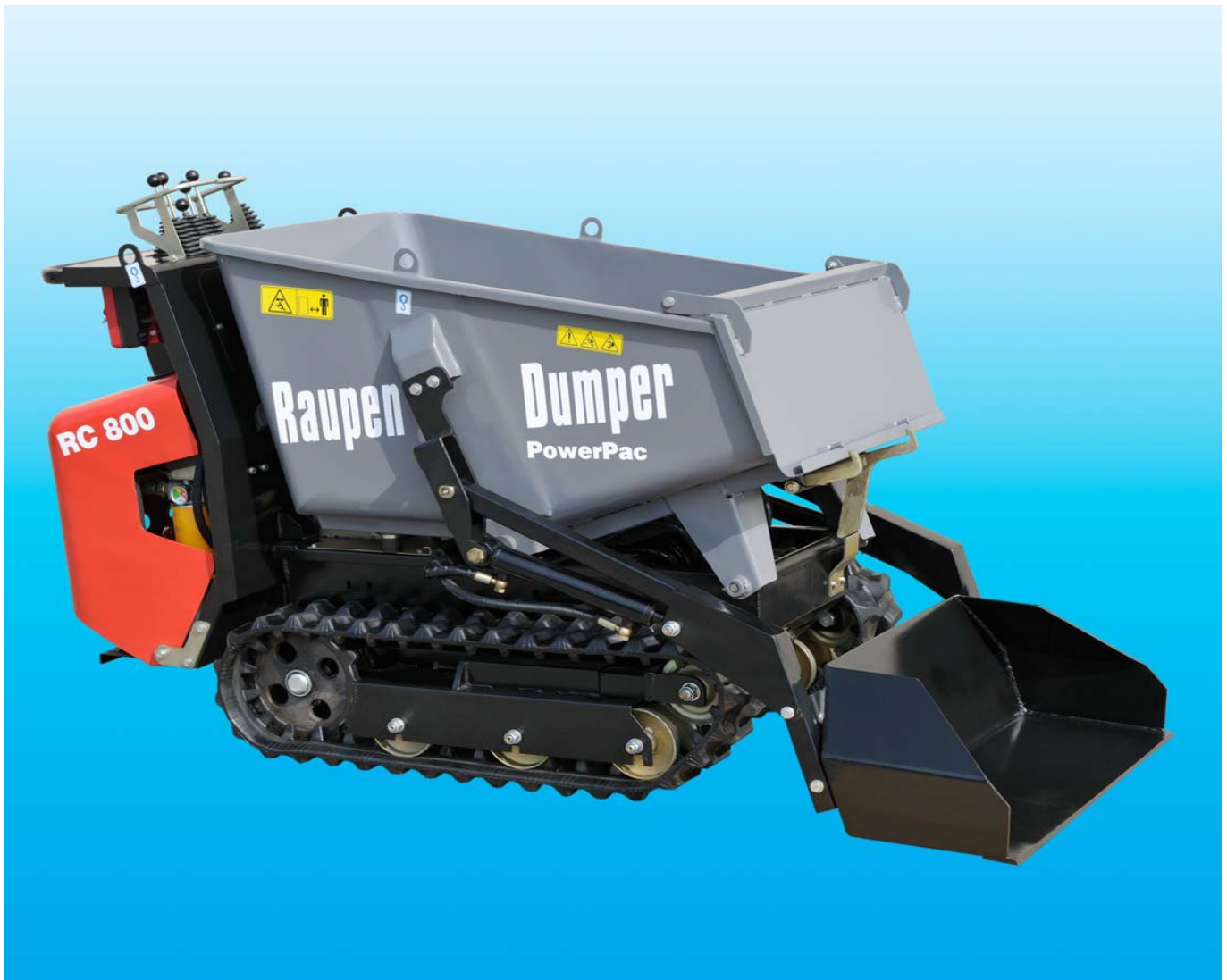




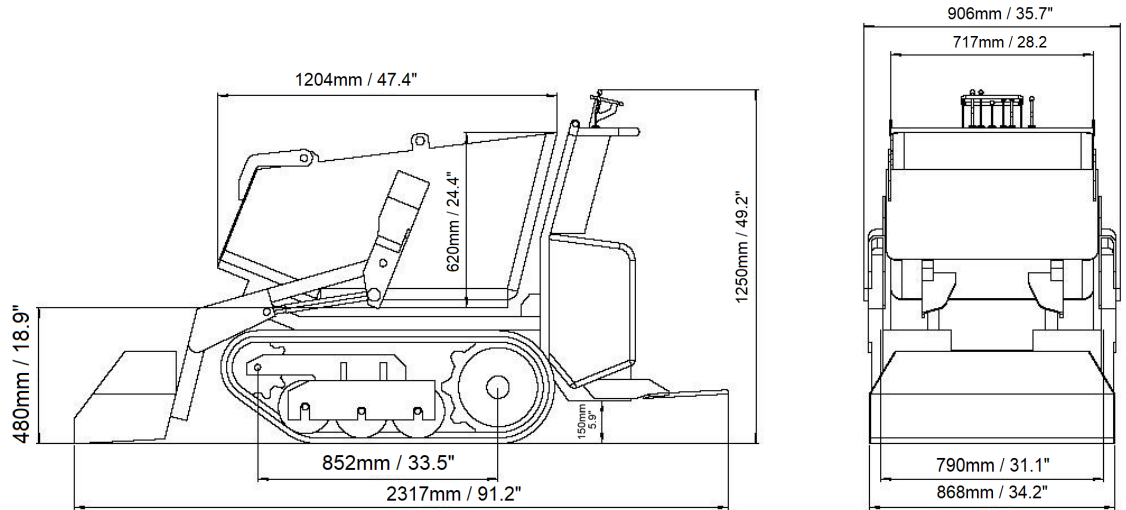
Track-Dumper

RC 800



Track-Dumper RC 800

Technical Data



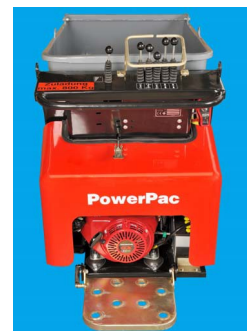
| Engine | |
|------------------|------------------------------|
| Honda | GX 390 |
| Type | 1 cyl. / 4-stroke |
| Displacement | 389 cm ³ |
| Engine output | 8.2 kW / 11.0 HP |
| Revolution speed | 3600/rpm |
| Starter | reversing + electric starter |
| Air filter | dry cartridge |
| Fuel filter | seive |



| | |
|-----------------------|---|
| Drive | hydrostatic |
| Guidance | hydraulic motor |
| Characteristic | hydraulic tipping device hydraulic self loader electric start |



| Operating Data | | |
|--------------------------------|----------------|----------------|
| Machine Weight | 530 kg | 1168 lbs. |
| Max. Payload | 800 kg | 1764 lbs. |
| Max. Operating Weight (loaded) | 1330 kg | 2932 lbs. |
| Tilting Device | hydraulic | hydraulic |
| Climbing Ability | max. 26° (50%) | max. 26° (50%) |
| Working Speed | 0 - 4 km/h | 0 - 2.5 mph |
| Oil Pressure | 175 bar | 2538 psi |
| Oil Delivery Rate | 55 ltr./min. | 14.5 gal/min |



GNH GREAT NORTH HARDSCAPE
SOLUTIONS SIMPLIFIED

orders@gnhardscape.com
www.greatnorthhardscape.com
1.800.720.7627